

# POOL MODELS: R185 THROUGH R405

CATALOG NO.: 9100.554  
Effective: 9-15-99  
Replaces: New

## **RAYPAK REPLACEMENT PARTS**

**MODEL SIZE: R185, R265, R335 & R405**

**MODEL TYPE: RP2100 WITH CAPRON AND ASME IRON HEADERS, DIGITAL CONTROLS**

**DATE OF MANUFACTURE: 11-01-98 THROUGH CURRENT**

THE PARTS LISTED ARE FOR STANDARD EQUIPMENT FOR THIS MODEL TYPE. RAYPAK RESERVES THE RIGHT TO SUBSTITUTE, DELETE OR CHANGE ANY PART WITHOUT NOTIFICATION. THE ADDITION OF OPTIONS MAY ALSO CHANGE SOME OF THE PARTS. ORDER REPLACEMENT PARTS FROM ACTUAL HEATER COMPONENTS.

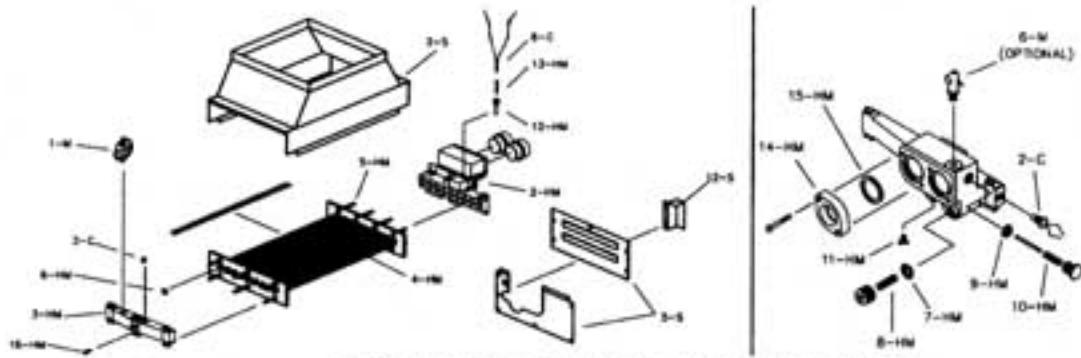


FOR DETAILED INSTRUCTIONS ON "HOW TO USE YOUR RAYPAK ILLUSTRATED PARTS LIST" SEE 9001.10 INSTRUCTION SHEET.

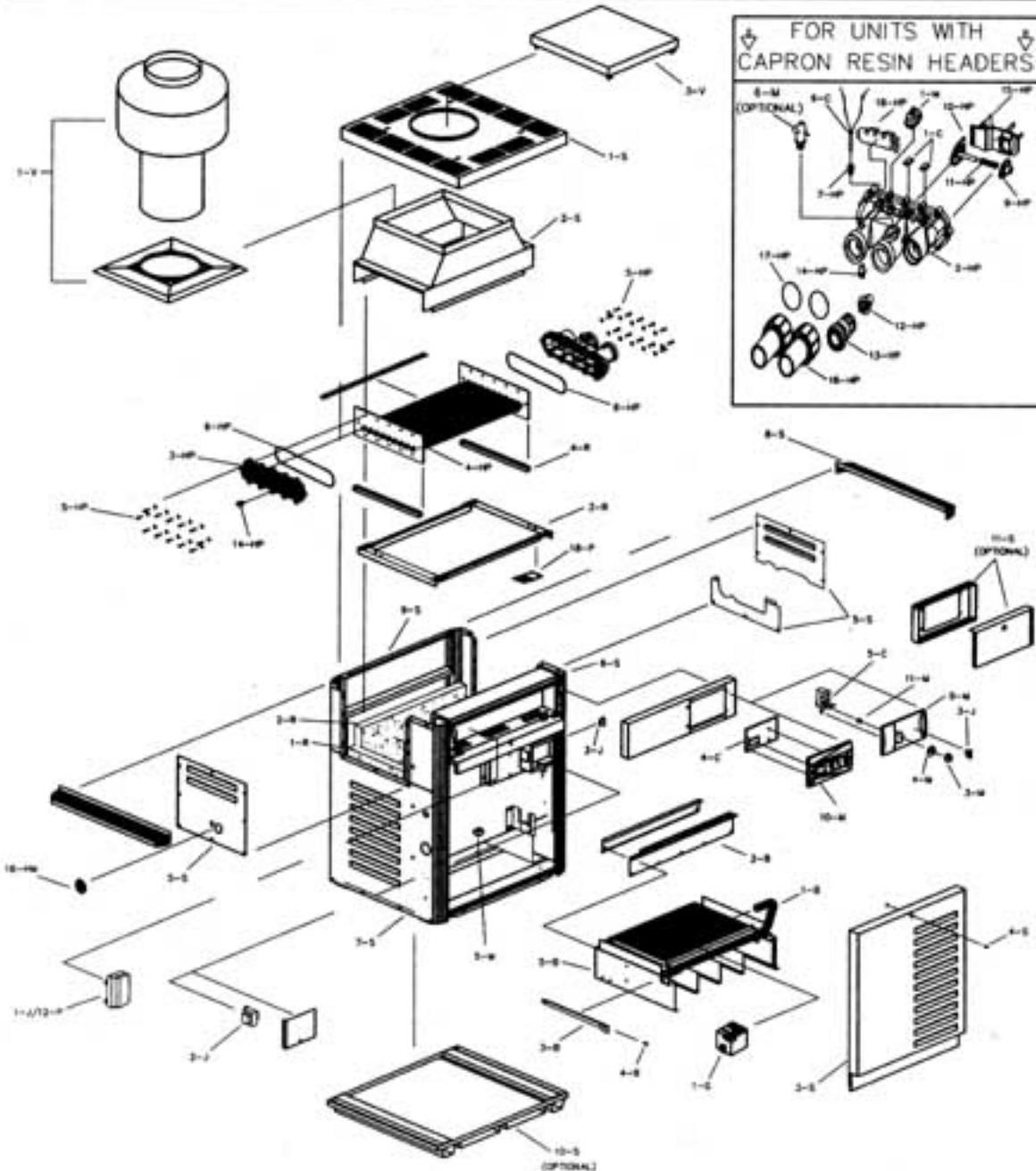


RAYPAK, INC., 31111 Agoura Road, Westlake Village, CA 91361-4699 (818) 889-1500

[www.raypak.com](http://www.raypak.com) Litho in U.S.A.

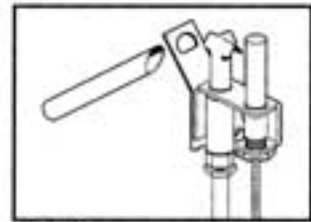


⚡ FOR UNITS WITH ASME METAL HEADERS ⚡



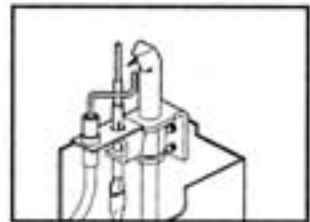
⚡ FOR UNITS WITH CAPRON RESIN HEADERS ⚡

Robertshaw MV



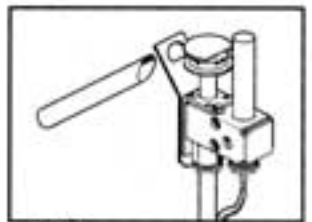
Fig# 8123

Robertshaw IID



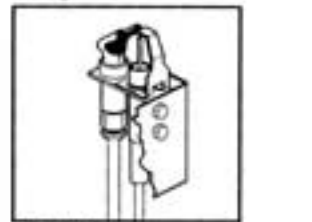
Fig# 8122

Honeywell MV



Fig# 8107

Honeywell IID



Fig# 8124

CALL OUT	DESCRIPTION	185	265	335	405
<b>B</b>	<b>BURNER TRAY</b>				
1-B	Burner Tray w/Burners (Sea Level)*	005213F	005214F	005215F	005216F
	Burner Tray w/o Burner (Sea Level)*	005217F	005218F	005219F	005220F
2-B	Burner Spacer/Hold Down Kit	005237F	005238F	005239F	005240F
3-B	Burner	301210/13	301210/19	301210/24	301210/29
4-B	Burner Orifice Nat. #51 (Sea Level)*	350080/13	350080/19	350080/24	350080/29
	Burner Orifice Pro. #57 (Sea Level)*	350083/13	350083/19	350083/24	350083/29
5-B	Burner Tray w/o Manifold w/o burners	005265F	005266F	005267F	005268F
<b>C</b>	<b>CONTROLS</b>				
1-C	Thermostat Auto Reset 135 Deg Surf Mount	006725F	006725F	006725F	006725F
2-C	AGS 135° (Auto Gas Shut-Off) - Red Epoxy	600892B	600892B	600892B	600892B
3-C	High Limit 140° - Black Epoxy	600893B	600893B	600893B	600893B
4-C	P. C. Board Control IID Units	006700F	006700F	006700F	006700F
5-C	Thermostat Control MV Units Mechanical	600827B	600827B	600827B	600827B
6-C	Temperature Sensor IID Units	006701F	006701F	006701F	006701F
<b>G</b>	<b>GAS VALVE</b>				
1-G	Combination Valve - Nat. MV	003898F	003898F	003898F	003898F
	Combination Valve - Pro. MV	003899F	003899F	003899F	003899F
	Combination Valve - Nat. IID	003900F	003900F	003900F	003900F
	Combination Valve - Pro. IID	004306F	004306F	004306F	004306F
<b>HP</b>	<b>HEAT EXCHANGER - CAPRON</b>				
1-HP	Heat Exchanger Assembly Complete	006702F	006703F	006704F	006705F
2-HP	Inlet/Outlet Header Complete	006827F	006827F	006827F	006827F
	Inlet/Outlet Header (Includes 6-H)	006706F	006706F	006706F	006706F
3-HP	Return Header (Includes 6-H)	006707F	006707F	006707F	006707F
4-HP	Tube Bundle **	006708F	006709F	006710F	006711F
5-HP	Bolt Kit	006712F	006712F	006712F	006712F
6-HP	O Ring Gasket (2)	006713F	006713F	006713F	006713F
7-HP	Sensor Adapter Digital Electronic	006714F	006714F	006714F	006714F
	Sensor Well Millivolt	006805F	006805F	006805F	006805F
8-HP	Bypass Kit	006715F	006715F	006715F	006715F
9-HP	Bypass Valve	006716F	006716F	006716F	006716F
10-HP	Bypass Dam / Shaft	006717F	006717F	006717F	006717F
11-HP	Bypass Spring (All Sizes Included)	006718F	006718F	006718F	006718F
12-HP	Unitherm Governor	006719F	006719F	006719F	006719F
13-HP	Unitherm Governor Plug	006720F	006720F	006720F	006720F
14-HP	Drain Plug	006721F	006721F	006721F	006721F
15-HP	Inlet/Outlet Header Dam	006722F	006722F	006722F	006722F
16-HP	2" PVC Connector & Nut (2)	006723F	006723F	006723F	006723F
17-HP	O Ring (2)	006724F	006724F	006724F	006724F
18-HP	Header Baffle	006826F	006826F	006826F	006826F
<b>HM</b>	<b>HEAT EXCHANGER - METAL</b>				
1-HM	Heat Exchange Assy. ASME CI (Complete)	006726F	006727F	006728F	006729F
2-HM	Inlet/Outlet Header ASME CI	006730F	006730F	006730F	006730F
3-HM	Return Header ASME CI	006731F	006731F	006731F	006731F
4-HM	Tube Bundle ASME **	006732F	006733F	006734F	006735F
5-HM	Bolt Kit	001303F	001303F	001303F	001303F
6-HM	Header Gasket (9)	800014B	800014B	800014B	800014B
7-HM	Unitherm Governor	062234B	062234B	062234B	062234B
8-HM	U.G. Retainer Spring	850254	850254	850254	850254
9-HM	Bypass Valve	062235B	062235B	062235B	062235B
10-HM	Bypass Spring	850252	850253	850253	850253
11-HM	Drain Valve	500719	500719	500719	500719
12-HM	Sensor Well	003765F	003765F	003765F	003765F
13-HM	Well Retaining Clip	300203	300203	300203	300203
14-HM	Inlet & Outlet Flange	003766F	003766F	003766F	003766F
15-HM	Flange Gasket 1 1/2" Connections	062236B	062236B	062236B	062236B
	Flange Gasket 2" Connections	800080B	800080B	800080B	800080B
16-HM	Rear Drain Plug & Cover	005264F	005264F	005264F	005264F
<b>J</b>	<b>CONTROL BOX</b>				
1-J	Ignition Control IID Nat.	004817B	004817B	004817B	004817B
	Ignition Control IID Pro.	004818B	004818B	004818B	004818B
2-J	Transformer 120/240/24V	006736F	006736F	006736F	006736F
3-J	Rocker Switch	650902	650902	650902	650902

CALL OUT	DESCRIPTION	185	265	335	405
<b>M</b>	<b>MISCELLANEOUS COMPONENTS</b>				
1-M	Pressure Switch	006737F	006737F	006737F	006737F
3-M	Thermostat Knob (1)	800303	800303	800303	800303
4-M	Knobstop (1)	006886F	006886F	006886F	006886F
5-M	Thermal Fuse	005899F	005899F	005899F	005899F
6-M	PRV 125 PSI (Optional)	500648	500038	500038	500038
7-M	Deliming Kit	052871F	052871F	052871F	052871F
8-M	Wire/Harness Millivolt	005269F	005269F	005269F	005269F
	Wire/Harness IID	006738F	006738F	006738F	006738F
9-M	Control Panel MV	005291F	005291F	005291F	005291F
10-M	Control Panel IID (Includes Switch Decal)	006739F	006739F	006739F	006739F
11-M	Thermostat Shaft MV	800307	800307	800307	800307
<b>P</b>	<b>PILOT</b>				
1-P	Pilot Nat. MV	600525B	600525B	600525B	600525B
	Pilot Pro. MV	600575B	600575B	600575B	600575B
3-P	Pilot Nat. IID	002003F	002003F	002003F	002003F
	Pilot Pro. IID	002003F	002003F	002003F	002003F
5-P	Pilot Orifice Nat. MV	003901F	003901F	003901F	003901F
	Pilot Orifice Pro. MV	003902F	003902F	003902F	003902F
7-P	Pilot Orifice Nat. IID	003903F	003903F	003903F	003903F
	Pilot Orifice Pro. IID	004308F	004308F	004308F	004308F
9-P	Pilot Generator MV	600019B	600019B	600019B	600019B
12-P	Ignition Control IID Nat.	004817B	004817B	004817B	004817B
	Ignition Control IID Pro.	004818B	004818B	004818B	004818B
13-P	Pilot MTG Bracket MV	306693	306693	306693	306693
14-P	Pilot MTG Bracket IID	306692	306692	306692	306692
15-P	Lighter Tube (MV Units Only)	062996	062996	062996	062996
16-P	Pilot Tube	004078F	004078F	004078F	004078F
17-P	Hi Tension Wire IID	002654B	002654B	002654B	002654B
18-P	Pilot Shield	307223	307223	307223	307223
<b>R</b>	<b>REFRACTORY</b>				
1-R	Refractory Common (Left & Right)	005282F	005282F	005282F	005282F
2-R	Refractory Uncommon (Front & Rear)	005283F	005284F	005285F	005286F
3-R	Refractory Retainer Kit	005287F	005288F	005289F	005290F
<b>S</b>	<b>SHEETMETAL</b>				
1-S	Jacket Top (Louvered)	005303F	005304F	005305F	005306F
2-S	Flue Collector (Units with Capron Header)	006740F	006741F	006742F	006743F
	Flue Collector (Units with Metal Header)	005307F	005308F	005309F	005310F
3-S	Door Assy.	005315F	005316F	005317F	005318F
4-S	Screw & Retainer	006744F	006744F	006744F	006744F
5-S	Access Panel Set (3 Pcs.) (Units with Capron Header)	006745F	006745F	006745F	006745F
	Access Panel Set (3 Pcs.) (Units with Metal Header)	005277F	005277F	005277F	005277F
6-S	Side Panel Right	005300F	005300F	005300F	005300F
7-S	Side Panel Left	005301F	005301F	005301F	005301F
8-S	Side Panel Cap	005302F	005302F	005302F	005302F
9-S	Rear Panel Kit (2 Pcs.)	005278F	005279F	005280F	005281F
10-S	Sub-Base for Combustible Flooring	005182	005183	005184	005185
11-S	Poolstat Cover/Lock	005198	005198	005198	005198
12-S	High Limit Cover	005294F	005294F	005294F	005294F
<b>V</b>	<b>VENTING</b>				
1-V	Indoor Stack Kit (Includes inner adapter panel)	006696	006697	006698	006699
3-V	"Pagoda" Top	065310	065312	065336	065311

<b>CONVERSION KITS**</b>	<b>185B</b>	<b>265B</b>	<b>335B</b>	<b>405B</b>
<b>Gas Conversions</b>				
Nat. to Pro. MV Pilot	004690B	004690B	004692B	004692B
Pro. to Nat. MV Pilot	005319F	005319F	005320F	005320F
Nat. to Pro. IID Pilot	N/A	N/A	N/A	N/A
Pro. to Nat. IID Pilot	N/A	N/A	N/A	N/A

\*\* Gas conversions are to be done only by a qualified agency.